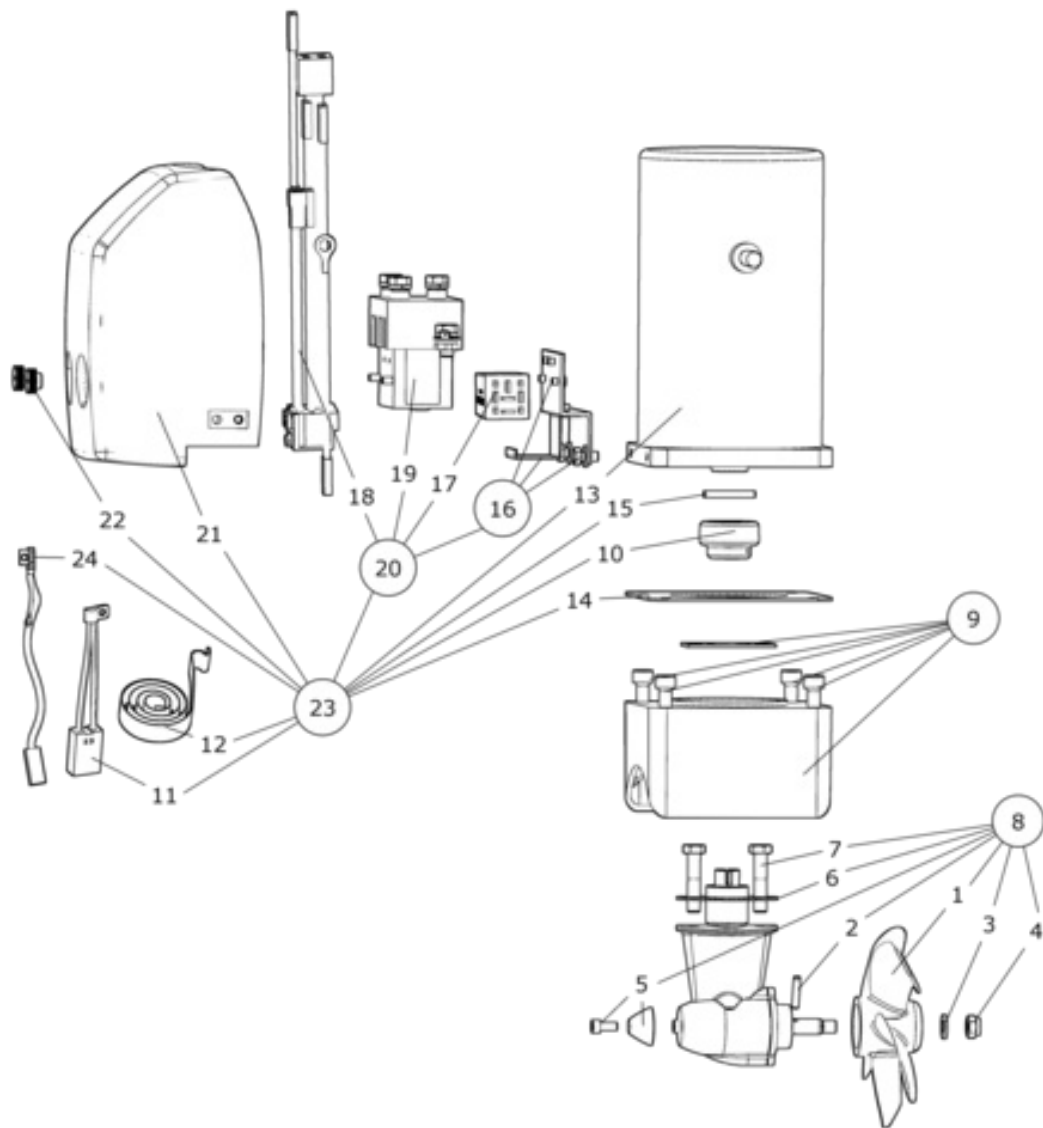


SE50/140S-12V - SE50 SIDE-POWER Tunnel thruster, 12V

Spare parts (valid from 2018-01-23)



#	Description	Product
1	Propeller	5 1260 - Propeller Ø 137mm SE50
2	Propeller drivepin	141258 - Propeller drive pin ISO8734
3	Propeller washer	208125 - washer DIN125A M8 A4 (SB)
4	Locknut	3 1250 - Locknut
5	Anode	3 1180 A - Alu anode SE30/40
6	Gasket	141261 - Gasket SE50
7	Gearleg bolt	141259 - Skrue
8	Complete gearleg	5 0600 - Komplet tett gearhus SE50
9	Complete motor bracket	3 0502 - Komplet motorbrakett SE50
10	Complete flexible coupling	SM-137073 - Flexibel kobling m/bryte pin
11	Brushes for motor (kit)**	**
12	Brush springs for motor (kit)**	**
13	Electric motor	N/A
14	Gasket	6 1061 - Gasket
15	Key for electric motor shaft	141285 - Låsepinne ISO8734
16	Solenoid bracket kit	4 0135 - Solenoid bracket kit SP55
17	Electronic control box	6 1232 I - Delay relay 12/24V, new type
18	Internal wiring loom	6 1226 B - Internal coupl. SP40-55-75-95
19	Solenoid	41472123 - Solenoid compl SE40/SE60 12V
20	Complete solenoid kit	4 0131 12 - Solenoid kit compl SE60 12V
21	Solenoid Cover	4 2026 A - Reledeksel SE60S
22	Nut for solenoid cover	6 8807 - Nut for solenoid cover
23	Complete electric motor assembly	5 0101 12 - Elektromot. mont.SE50/12v
24	Temp switch*	*

The installer alone has responsibility for the installation of the spare parts. Side-Power only warranty the spare parts supplied only.

The information given in the document was correct at the time it was published. However, Sleipner Motor AS can not accept liability for any inaccuracies or omissions it may contain. Continuous product improvement may change the product specifications without notice. Therefore, Sleipner Motor AS can not accept liability for any possible differences between product and document.